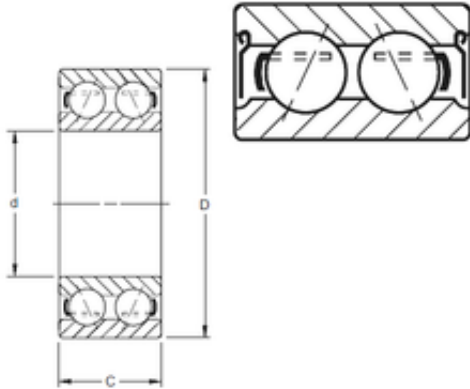




## Machinery Parts

### 17 mm x 40 mm x 17,48 mm TIMKEN 5203KDD3 Angular Contact Ball Bearings



Bearing No. 5203KDD3

Size	17x40x17.48 mm
Bore Diameter	17 mm
Outer Diameter	40 mm
Width	17,48 mm
d	17 mm
D	40 mm
B	17,48 mm
C	17,48 mm
Angle ( )	20 °
Weight	0,104 Kg
Basic dynamic load rating (C)	16,8 kN

5203KDD3 Bearing 2D drawings and 3D CAD models