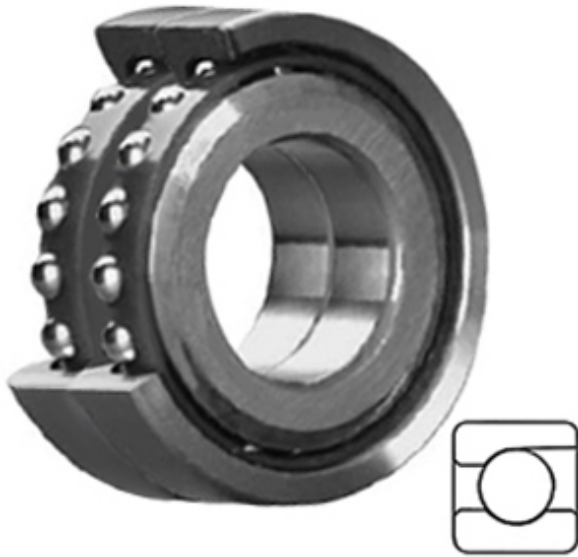




Machinery Parts



100BAR10STYNDBLP4A Bearing 2D drawings and 3D CAD models

3.937 Inch | 100 Millimeter x 5.906 Inch | 150 Millimeter x 1.772 Inch | 45 Millimeter NSK
100BAR10STYNDBLP4A Precision Ball Bearings

Bearing No. 100BAR10STYNDBLP4A

Category	Precision Ball Bearings
Inventory	0.0
Manufacturer Name	NSK
Minimum Buy Quantity	N/A
Weight	2.7
Product Group	B04270
Enclosure	Open
Precision Class	ABEC 7 ISO P4
Material - Ball	Steel
Number of Bearings	2 (1 Pair)
Contact Angle	30 Degree
Preload	Light
Raceway Style	1 Rib Outer Ring
Cage Material	Polyamide
Rolling Element	Ball Bearing
Mounting Arrangement	Duplex-Back to Back
Flush Ground	Yes
Inch - Metric	Metric
Other Features	Single Row Angular Contact Thrust Bearing High Speed ISO 4 Expect OD
Long Description	100MM Bore; 150MM Outside Diameter; 45MM Width; Open Enclosure; ABEC 7 ISO P4 Precision; Steel Ball Material; 2 (1 Pair)



Machinery Parts

	Bearings; 30 Degree Contact Angle; Polyamide Cage Material; 1 Rib Outer Ring
Category	Precision Ball Bearings
UNSPSC	31171531
Harmonized Tariff Code	8482.10.50.28
Noun	Bearing
Keyword String	Angular Contact Ball
Manufacturer URL	http://www.nskamericas.com
Manufacturer Item Number	100BAR10STYNDL4A
Weight / LBS	5.952
D	5.906 Inch 150 Millimeter
d	3.937 Inch 100 Millimeter
B	1.772 Inch 45 Millimeter